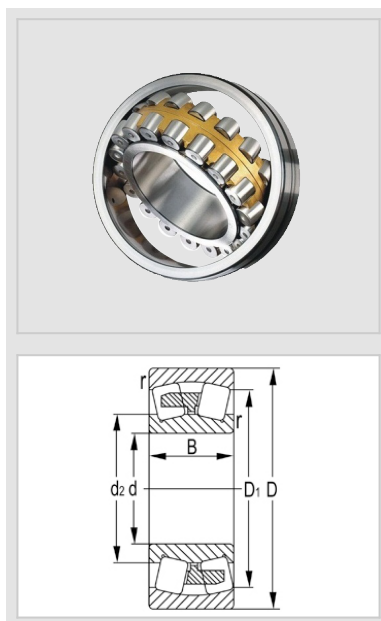


Spherical Roller  
Bearing  
24000 Series spherical  
roller  
bearings-**24026W33C3**



WUXI GUANGQIANG BEARING TRADE CO.,LTD



Designation **24026W33C3**

Principal Dimensions(mm)

d 130

D 200

B 69

rs min **2**

Basic Load Ratings(KN)

Dynamic(Cr) 505

Static(Cor) 895

Limited Speed(rpm)

Grease 1300

Oil 2100

Weight

(kg) 8.08

## GQZ bearings wholesale high quality 24000 series spherical roller bearings

**The characteristics of 24000 series spherical roller bearings mainly include high load carrying capacity, good self-aligning performance, and adaptability to working environments subject to heavy loads or vibration loads.**

**1 high load carrying capacity:** 22400 series spherical roller bearings have double rows of rollers, the outer ring has a common spherical raceway, the inner ring has two raceways and tilted at an angle relative to the bearing axis. This structure makes the bearings can withstand a large radial load, but also can withstand the two-way action of the axial load, especially suitable for bearing heavy loads and shock loads of the working environment.

**2 good self-aligning performance:** due to the outer ring raceway arc center and bearing center, has self-aligning performance, so can automatically adjust due to the shaft or shell of the deflection or not the same center caused by the axis of incorrect. This characteristic makes spherical roller bearings can adapt to the installation error or shaft deflection caused by angular error occasions, not easily affected by the shaft and bearing housing angle to error or shaft bending.

**3 adapted to withstand heavy load or vibration load working environment:** spherical roller bearings are designed so that it is particularly suitable for withstand heavy load or vibration load working environment. This kind of bearing has good adaptability and stability under normal load and working conditions, when the inner ring rotates, the angular deviation given in the table is allowed to exist.

24000 series spherical roller bearings are mainly used in high load mining machinery, steel mills, oil fields and other fields.





Wuxi Guangqiang Bearing Trade Co.,Ltd-Tel:86-510-82601571-  
Email:qq@gqbearing.com,shary@gqbearing.com-http://www.bearing-asia.com