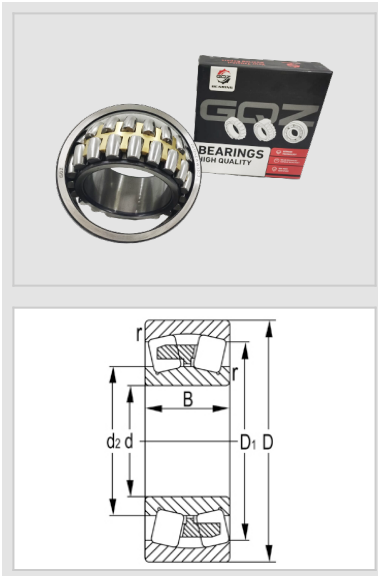


Spherical Roller  
Bearing  
24100 Series  
spherical roller  
bearings-24144



WUXI GUANGQIANG BEARING TRADE CO.,LTD



Designation	<b>24144</b>
Principal Dimensions(mm)	
d	220
D	370
B	150
rs min	<b>4</b>
Basic Load Ratings(KN)	
Dynamic(Cr)	1880
Static(Cor)	3400
Limited Speed(rpm)	
Grease	720
Oil	1100
Weight	
(kg)	67

## GQZ bearings wholesale high quality 24100 series spherical roller bearings

**24100 series spherical roller bearings are a series of spherical roller bearings with specific models, whose characteristics mainly include:**

**1□Withstand load capacity:** Spherical roller bearings are mainly used to withstand radial load, but also can withstand a certain amount of axial load, but generally can not withstand pure axial load. The outer ring raceway of this type of bearing is spherical, with self-aligning performance, when the shaft is bent or tilted, the bearing can still work normally.

**2□Structural characteristics:** the structural principle of self-aligning roller bearings and self-aligning ball bearings are the same, the only difference is that the rolling body is spherical roller. Due to the different rolling bodies, the bearing capacity of spherical roller bearings is larger, and they are widely used in mining and heavy machinery. This type of bearing can limit the axial displacement of the shaft or shell within the axial clearance of the bearing.

**3□Application areas:** Spherical roller bearings and spherical ball bearings can be used in place of each other in accordance with the capacity and limit rotational speed permits, and are widely used in metallurgy, automotive instrumentation, cutting machine, hydraulic cylinder buffer, dynamic wheel lathe, sterilizer class, kitchen knife, clothing accessories, lifting skids, automotive lamps and other equipment.

**4□Model diversity:** 24100 series spherical roller bearings include a number of models, such as 24120, 24122, 24124, 24126, 24128, 24130, 24132, 24134, 24136, 24138, 24140, 24144, 24148 24144, 24148, 24152, 24156, etc. Each model has its specific use and performance parameters.

24100 series spherical roller bearings are mainly used in high load mining machinery, steel mills, oil fields and other fields.





Wuxi Guangqiang Bearing Trade Co.,Ltd-Tel:86-510-82601571-  
Email:gq@gqbearing.com,shary@gqbearing.com-http://www.bearing-asia.com