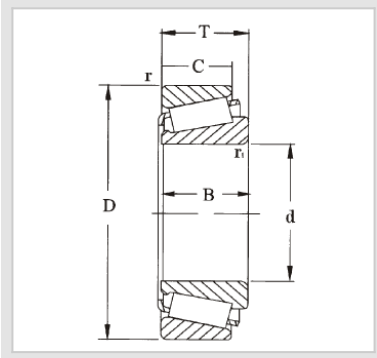


Single Row
Tapered Roller
Bearing
30300 Tapered
Roller
Bearing-30318J2



WUXI GUANGQIANG BEARING TRADE CO.,LTD



Designation	30318J2
Principal dimensions [mm]	
d1	90
D	190
B	46.5
Basic load ratings [kN]	
dyc(Cr)	330
stc(Cor)	400
Pu	44
Speed ratings [rpm]	
Speed Ratings	2600
Limiting Speed	4000
Weight(Kg)	5.65
ISO335	
Dimensions (ABMA)	2GB
Dimensions [mm]	
d	90
d1	132
B	43
C	36
r1,2(min)	4
r3,4(min)	3
a	36
Abutment and fillet dimensions [mm]	
da(max)	113
db(min)	105
Da(min)	165
Da(max)	176
Db(min)	176
Ca(min)	6
Cb(min)	10.5
ra(max)	3
rb(max)	2.5
Value	
e	0.35
Y	1.7
Yo	0.9

GQZ bearings wholesale high quality 30300 Single Row Tapered Roller Bearing

The dimensions of 30303 tapered roller bearings are 17.000 mm inner diameter, 47.000 mm outer diameter and 15.250 mm thickness.

30300 series tapered roller bearings are characterized by high load carrying capacity, relatively small size and weight, compact radial structure, high machining accuracy and high surface hardness.

30303 tapered roller bearings features:

1□high load carrying capacity: despite its short cross-sectional diameter and relatively small size and weight, 30300 tapered roller bearings have high load carrying capacity and can withstand large radial and axial loads.

2□radial structure is compact: its internal diameter size and load capacity compared with other types of bearings, the outer diameter is small, especially suitable for radial mounting support structure size limitations.

3□High machining accuracy: The bearings are of high machining accuracy and high surface hardness, which can withstand several times more force than its bearing force, ensuring the safety of the use of bearings and stable performance.

In addition, 30300 tapered roller bearings are used in a wide range of applications, including but not limited to automobiles, new energy sources, crushers, machine tool spindles, mining mills, differentials, speed reducers, granulators, cranes, oilfields and so on. These bearings assume important roles in mechanical equipment such as transmitting power, bearing loads, reducing friction, etc. Their performance is directly related to the stability and service life of mechanical equipment.



30300-Tapered-Roller-Bearing-30318J2



Wuxi Guangqiang Bearing Trade Co.,Ltd-Tel:86-510-82601571-
Email:qq@gqbearing.com,shary@gqbearing.com-http://www.bearing-asia.com