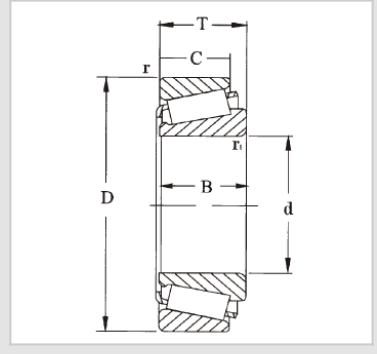


Single Row Tapered Roller
Bearing
31300 Tapered Roller
Bearing-31320XJ2/CL7CVQ051



WUXI GUANGQIANG BEARING TRADE CO.,LTD



Designation	31320XJ2/CL7CVQ051
Principal dimensions [mm]	
d1	100
D	215
B	56.5
Basic load ratings [kN]	
dyc(Cr)	430
stc(Cor)	465
Pu	51
Speed ratings [rpm]	
Speed Ratings	2400
Limiting Speed	3000
Weight(Kg)	8.60
ISO335	
Dimensions (ABMA)	7GB
Dimensions [mm]	
d	100
d1	158
B	51
C	35
r1,2(min)	4
r3,4(min)	3
a	65
Abutment and fillet dimensions [mm]	
da(max)	121
db(min)	115
Da(min)	168
Da(max)	201
Db(min)	202
Ca(min)	7
Cb(min)	21.5
ra(max)	3
rb(max)	2.5
Value	
e	0.83
Y	0.72
Yo	0.4

GQZ bearings wholesale high quality 31300 Single Row Tapered Roller Bearing

31303 tapered roller bearings, the inner diameter is 17mm, the outer diameter is 47mm and the width is 15.5mm.

31330 tapered roller bearings, the inner diameter is 150mm, an outer diameter is 320mm and a width is 75mm.

32300 series tapered roller bearings features:

31300 series tapered roller bearings are characterized by strong load carrying capacity, smooth operation and long service life, which are widely used in automobile, engineering machinery, metallurgical equipment, mining machinery and other fields.

31300 series tapered roller bearings belong to a kind of roller bearings, its inner and outer ring raceway cross-section is conical, mainly to bear radial load mainly radial and axial combined load, at the same time, can also withstand tilting moment. The design of this type of bearing enables it to provide stable support and load carrying capacity in various applications, thus ensuring stable operation and long-term use of the equipment.







Wuxi Guangqiang Bearing Trade Co.,Ltd-Tel:86-510-82601571-
Email:qq@gqbearing.com,shary@gqbearing.com-http://www.bearing-asia.com