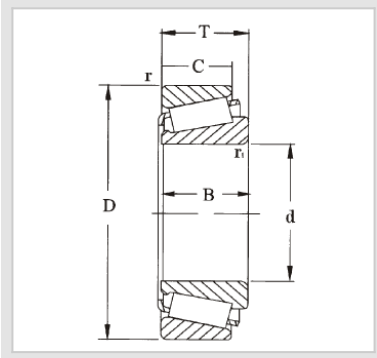


Single Row  
Tapered Roller  
Bearing  
32000 Tapered  
Roller  
Bearing-32026X



WUXI GUANGQIANG BEARING TRADE CO.,LTD



Designation	<b>32026X</b>
Principal dimensions [mm]	
d1	130
D	200
B	45
Basic load ratings [kN]	
dyc(Cr)	314
stc(Cor)	540
Pu	55
Speed ratings [rpm]	
Speed Ratings	2200
Limiting Speed	3000
Weight(Kg)	4.95
ISO335	
Dimensions (ABMA)	4EC
Dimensions [mm]	
d	130
d1	165
B	45
C	34
r1,2(min)	2.5
r3,4(min)	<b>2</b>
a	42
Abutment and fillet dimensions [mm]	
da(max)	144
db(min)	142
Da(min)	178
Da(max)	190
Db(min)	192
Ca(min)	7
Cb(min)	11
ra(max)	<b>2</b>
rb(max)	<b>2</b>
Value	
e	0.43
Y	1.4
Yo	0.8

## **GQZ bearings wholesale high quality 32000 Single Row Tapered Roller Bearing**

The features of the 32000 tapered roller bearings include compactness, the ability to withstand heavy combined radial and axial loads, and also the ability to withstand pure axial loads.

The 32000 tapered roller bearings are single row tapered roller bearings, and these bearings can withstand larger combined radial and axial loads due to their structural characteristics. Their design allows the bearings to withstand large loads while maintaining smooth operation and long service life. In addition, due to the design with contact angles, single row tapered roller bearings usually require two sets of bearings to be used in pairs in order to balance the axial force generated by the radial loads and to ensure the stable operation of mechanical equipment.

The 32000 series tapered roller bearings are used in a wide range of applications, including but not limited to automotive, construction machinery, metallurgical equipment, mining machinery and other fields. In these fields, tapered roller bearings are widely used in the transmission system, steering system and other key parts to ensure the performance and safety of mechanical equipment due to their strong load carrying capacity, smooth operation and long service life.

32000-Tapered-Roller-Bearing-32026X



# 32000-Tapered-Roller-Bearing-32026X



Wuxi Guangqiang Bearing Trade Co.,Ltd-Tel:86-510-82601571-  
Email:qq@gqbearing.com,shary@gqbearing.com-http://www.bearing-asia.com