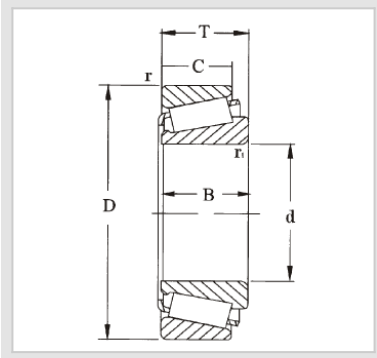


Single Row  
Tapered Roller  
Bearing  
32000 Tapered  
Roller  
Bearing-32044X



WUXI GUANGQIANG BEARING TRADE CO.,LTD



Designation	<b>32044X</b>
Principal dimensions [mm]	
d1	220
D	340
B	76
Basic load ratings [kN]	
dyc(Cr)	897
stc(Cor)	1660
Pu	150
Speed ratings [rpm]	
Speed Ratings	1300
Limiting Speed	1700
Weight(Kg)	25.5
ISO335	
Dimensions (ABMA)	4FD
Dimensions [mm]	
d	220
d1	279
B	76
C	57
r1,2(min)	<b>4</b>
r3,4(min)	<b>3</b>
a	72
Abutment and fillet dimensions [mm]	
da(max)	244
db(min)	236
Da(min)	300
Da(max)	325
Db(min)	326
Ca(min)	12
Cb(min)	19
ra(max)	<b>3</b>
rb(max)	2.5
Value	
e	0.43
Y	1.4
Yo	0.8

## **GQZ bearings wholesale high quality 32000 Single Row Tapered Roller Bearing**

The features of the 32000 tapered roller bearings include compactness, the ability to withstand heavy combined radial and axial loads, and also the ability to withstand pure axial loads.

The 32000 tapered roller bearings are single row tapered roller bearings, and these bearings can withstand larger combined radial and axial loads due to their structural characteristics. Their design allows the bearings to withstand large loads while maintaining smooth operation and long service life. In addition, due to the design with contact angles, single row tapered roller bearings usually require two sets of bearings to be used in pairs in order to balance the axial force generated by the radial loads and to ensure the stable operation of mechanical equipment.

The 32000 series tapered roller bearings are used in a wide range of applications, including but not limited to automotive, construction machinery, metallurgical equipment, mining machinery and other fields. In these fields, tapered roller bearings are widely used in the transmission system, steering system and other key parts to ensure the performance and safety of mechanical equipment due to their strong load carrying capacity, smooth operation and long service life.

32000-Tapered-Roller-Bearing-32044X



# 32000-Tapered-Roller-Bearing-32044X



Wuxi Guangqiang Bearing Trade Co.,Ltd-Tel:86-510-82601571-  
Email:qq@gqbearing.com,shary@gqbearing.com-http://www.bearing-asia.com