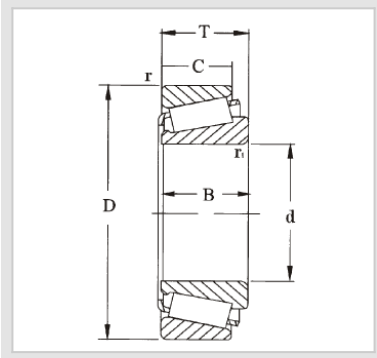


Single Row
Tapered Roller
Bearing
32000 Tapered
Roller
Bearing-32024X



WUXI GUANGQIANG BEARING TRADE CO.,LTD



Designation	32024X
Principal dimensions [mm]	
d1	120
D	180
B	38
Basic load ratings [kN]	
dyc(Cr)	242
stc(Cor)	415
Pu	44
Speed ratings [rpm]	
Speed Ratings	2400
Limiting Speed	3400
Weight(Kg)	3.25
ISO335	
Dimensions (ABMA)	4DC
Dimensions [mm]	
d	120
d1	150
B	38
C	29
r1,2(min)	2.5
r3,4(min)	2
a	39
Abutment and fillet dimensions [mm]	
da(max)	132
db(min)	131
Da(min)	161
Da(max)	170
Db(min)	173
Ca(min)	7
Cb(min)	9
ra(max)	2
rb(max)	2
Value	
e	0.46
Y	1.3
Yo	0.7

GQZ bearings wholesale high quality 32000 Single Row Tapered Roller Bearing

The features of the 32000 tapered roller bearings include compactness, the ability to withstand heavy combined radial and axial loads, and also the ability to withstand pure axial loads.

The 32000 tapered roller bearings are single row tapered roller bearings, and these bearings can withstand larger combined radial and axial loads due to their structural characteristics. Their design allows the bearings to withstand large loads while maintaining smooth operation and long service life. In addition, due to the design with contact angles, single row tapered roller bearings usually require two sets of bearings to be used in pairs in order to balance the axial force generated by the radial loads and to ensure the stable operation of mechanical equipment.

The 32000 series tapered roller bearings are used in a wide range of applications, including but not limited to automotive, construction machinery, metallurgical equipment, mining machinery and other fields. In these fields, tapered roller bearings are widely used in the transmission system, steering system and other key parts to ensure the performance and safety of mechanical equipment due to their strong load carrying capacity, smooth operation and long service life.

32000-Tapered-Roller-Bearing-32024X



32000-Tapered-Roller-Bearing-32024X



Wuxi Guangqiang Bearing Trade Co.,Ltd-Tel:86-510-82601571-
Email:qq@gqbearing.com,shary@gqbearing.com-http://www.bearing-asia.com