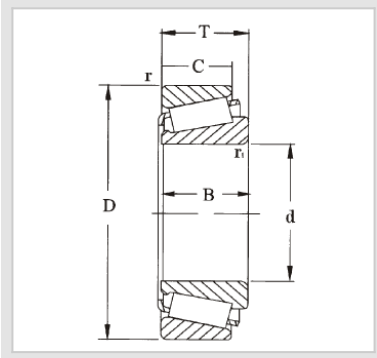


Single Row
Tapered Roller
Bearing
32200 Tapered
Roller
Bearing-32234J2



WUXI GUANGQIANG BEARING TRADE CO.,LTD



Designation	32234J2
Principal dimensions [mm]	
d1	170
D	310
B	91
Basic load ratings [kN]	
dyc(Cr)	1010
stc(Cor)	1630
Pu	150
Speed ratings [rpm]	
Speed Ratings	1500
Limiting Speed	2000
Weight(Kg)	28.5
ISO335	
Dimensions (ABMA)	4GD
Dimensions [mm]	
d	170
d1	237
B	86
C	71
r1,2(min)	5
r3,4(min)	4
a	75
Abutment and fillet dimensions [mm]	
da(max)	196
db(min)	190
Da(min)	259
Da(max)	293
Db(min)	294
Ca(min)	10
Cb(min)	20
ra(max)	4
rb(max)	3
Value	
e	0.43
Y	1.4
Yo	0.8

GQZ bearings wholesale high quality 32200 Single Row Tapered Roller Bearing

The inner diameter of 32203 tapered roller bearings is 17mm, the outer diameter is 40mm, and the width is 16mm. The main features of 32200 series tapered roller bearings are to withstand combined loads, smooth operation, and long service life.

32200 series tapered roller bearings belong to a kind of tapered roller bearings, its inner and outer ring raceway cross-section is conical, mainly to withstand radial load mainly radial and axial combined load. The design of this kind of bearing makes it able to withstand large loads and also certain axial loads, which is characterized by strong load carrying capacity, smooth operation and long service life. Therefore, 32200 series tapered roller bearings are widely used in automobile, engineering machinery, metallurgical equipment, mining machinery and other fields to meet the high requirements for bearing performance and life in various industrial applications. In addition, this series of bearings is also suitable for single row tapered roller bearings, which can withstand radial loads and single direction axial loads, but when withstanding radial loads, an axial force will be generated, so it usually requires another bearing that can withstand axial force in the opposite direction to balance.

32200-Tapered-Roller-Bearing-32234J2





Wuxi Guangqiang Bearing Trade Co.,Ltd-Tel:86-510-82601571-
Email:qq@gqbearing.com,shary@gqbearing.com-http://www.bearing-asia.com