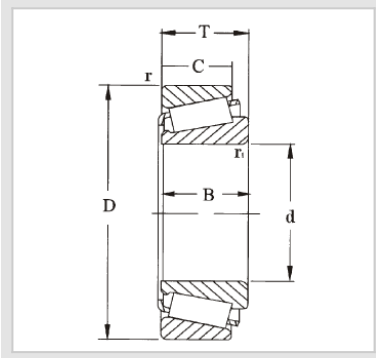


Single Row
Tapered Roller
Bearing
32300 Tapered
Roller
Bearing-32320J2



WUXI GUANGQIANG BEARING TRADE CO.,LTD



Designation	32320J2
Principal dimensions [mm]	
d1	100
D	215
B	77.5
Basic load ratings [kN]	
dyc(Cr)	572
stc(Cor)	780
Pu	83
Speed ratings [rpm]	
Speed Ratings	2200
Limiting Speed	3000
Weight(Kg)	12.5
ISO335	
Dimensions (ABMA)	2GD
Dimensions [mm]	
d	100
d1	151
B	73
C	60
r1,2(min)	4
r3,4(min)	3
a	51
Abutment and fillet dimensions [mm]	
da(max)	123
db(min)	115
Da(min)	177
Da(max)	201
Db(min)	200
Ca(min)	8
Cb(min)	17.5
ra(max)	3
rb(max)	2.5
Value	
e	0.35
Y	1.7
Yo	0.9

GQZ bearings wholesale high quality 32300 Single Row Tapered Roller Bearing

The inner diameter of 32300 tapered roller bearings is 17mm, the outer diameter is 47mm and the width is 19mm.

32300 series tapered roller bearings features:

Withstand combined load: 32300 series tapered roller bearings are mainly used to withstand combined radial and axial loads which are mainly radial loads. It can withstand large radial loads and axial loads, especially suitable for application scenarios that need to withstand heavy loads and shock loads.

Structural features: The inner and outer rings of this series of bearings have tapered raceways, which are designed so that the apexes of the inner ring raceway surface, the outer ring raceway surface and the conical surfaces of the roller rolling surfaces intersect at a point on the centerline of the bearing. This design makes the bearing can effectively spread the load, improve the load carrying capacity.

Cage design: the cage of tapered roller bearings generally adopts stamping cage, this design helps to improve the rotational performance and stability of bearings.

Application areas: Because 32300 series tapered roller bearings have high load carrying capacity and good running smoothness, they are widely used in automobile, engineering machinery, metallurgical equipment, mining machinery and other fields.

Separable design: Tapered roller bearings are separable bearings, i.e. the inner ring together with the rollers and cage form an assembly and the outer ring can be mounted separately, and this design makes the mounting and dismounting of the bearings more convenient.

High precision and hardness: Tapered roller bearings have high machining precision and high surface hardness, which can withstand several times more force than their own weight, safe to use, tight connection and good performance.

32300-Tapered-Roller-Bearing-32320J2



32300-Tapered-Roller-Bearing-32320J2



Wuxi Guangqiang Bearing Trade Co.,Ltd-Tel:86-510-82601571-
Email:gq@gqbearing.com,shary@gqbearing.com-http://www.bearing-asia.com