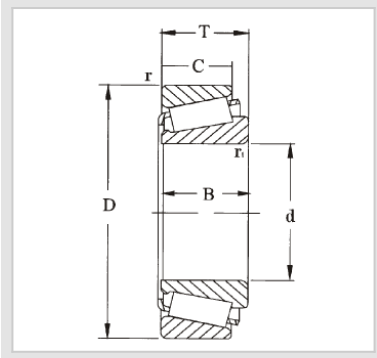


Single Row
Tapered Roller
Bearing
33100 Tapered
Roller
Bearing-33111/Q



WUXI GUANGQIANG BEARING TRADE CO.,LTD



Designation	33111/Q
Principal dimensions [mm]	
d1	55
D	95
B	30
Basic load ratings [kN]	
dyc(Cr)	110
stc(Cor)	156
Pu	17.6
Speed ratings [rpm]	
Speed Ratings	5000
Limiting Speed	6700
Weight(Kg)	0.86
ISO335	
Dimensions (ABMA)	3CE
Dimensions [mm]	
d	55
d1	75.1
B	30
C	23
r1,2(min)	1.5
r3,4(min)	1.5
a	22
Abutment and fillet dimensions [mm]	
da(max)	63
db(min)	62
Da(min)	83
Da(max)	88
Db(min)	91
Ca(min)	5
Cb(min)	7
ra(max)	1.5
rb(max)	1.5
Value	
e	0.37
Y	1.6
Yo	0.9

GQZ bearings wholesale high quality 33100 Single Row Tapered Roller Bearing

33100 tapered roller bearings have dimensions of 50mm inner diameter, 85mm outer diameter and 20mm width. These bearings are tapered roller bearings and are characterized by their compactness and ability to withstand heavy combined radial and axial loads as well as pure axial loads. Due to the contact angle, single row tapered roller bearings are usually used in pairs to provide better support and load carrying capacity.

The characteristics of 33100 series tapered roller bearings mainly include the following aspects:

Compact structure: tapered roller bearings have a compact structural design, which can effectively save space and adapt to a variety of installation environments.

Strong load carrying capacity: these bearings can withstand heavier combined radial and axial loads, and can also withstand pure axial loads. Its axial load capacity depends on the contact angle, that is, the outer ring raceway angle, the larger the angle, the greater the axial load capacity.

Separate design: Tapered roller bearings belong to separate type bearings, the inner and outer rings of the bearings have tapered raceways, and the inner assembly (consisting of rollers, cage and inner ring) and outer ring can be separated, which is convenient for installation and maintenance.

Strong adaptability: tapered roller bearings are suitable for a variety of mechanical equipment, such as automobile front and rear wheels, machine tools, mining machinery, printing machinery, agricultural machinery and a variety of speed reduction devices.

High precision: some tapered roller bearings, such as those processed by 3MK60 series CNC tapered roller centerless grinding machines, are characterized by high precision, high cost-effectiveness and good dimensional retention, and they are suitable for batch grinding and processing of the outer diameter of tapered rollers of national standard II in the bearing industry.

Adjustable clearance: During the mounting process, preload can be realized by adjusting the clearance to meet different working requirements.

Flexible configuration: single row tapered roller bearings are commonly used in pairs of two sets of bearings, which can be configured face to face or back to back to balance the axial force.



33100-Tapered-Roller-Bearing-33111Q





Wuxi Guangqiang Bearing Trade Co.,Ltd-Tel:86-510-82601571-
Email:gq@gqbearing.com,shary@gqbearing.com-http://www.bearing-asia.com