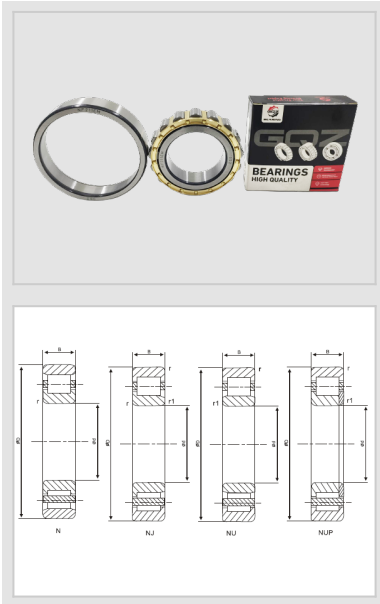


NF Series
N2300 Series
Cylindrical
Roller Bearing-
N2320



WUXI GUANGQIANG BEARING TRADE CO.,LTD



Designation	N2320
Principal Dimensions(mm)	
d	100
D	215
B	73
rs min	3
rs1 min	3
Basic Load Ratings(KN)	
Dynamic(Cr)	410
Static(Cor)	505
Limited Speed(rpm)	
Grease	2900
Oil	3400
Weight	
(kg)	11.5

GQZ bearings wholesale high quality N2300 Series Cylindrical Roller Bearing

The characteristics of N2300 series cylindrical roller bearings may vary depending on the specific model and specification, but in general, cylindrical roller bearings, including the N2300 series, usually have some of the following common features:

- 1 **large radial load carrying capacity:** cylindrical roller bearings have line contact between the rollers and the raceways, this structure makes the bearings able to withstand large radial loads, and is suitable for occasions subjected to heavy loads and shock loads.
- 2 **Small friction coefficient:** because the spacing keeper or isolation block between the rollers can effectively prevent the tilting of the rollers or mutual friction, so the friction coefficient of cylindrical roller bearings is relatively small, suitable for high speed rotation, and its limiting speed is close to that of deep groove ball bearings.
- 3 **adaptability:** some types of cylindrical roller bearings (such as N type and NU type) can be axial movement, can adapt to thermal expansion or installation errors caused by changes in the relative position of the shaft and the shell, can be used as a free end support.
- 4 **easy to install and dismantle:** cylindrical roller bearings belong to the separation of bearings, inner or outer ring can be separated, which greatly simplifies the bearing installation and dismantling process.
- 5 **high precision:** high precision cylindrical roller bearings in an ideal way to the bearing capacity of rigidity and achievable speed combined, suitable for the requirements of high speed, high load, high precision occasions.
- 6 **Self-lubricating ability:** At higher temperatures, cylindrical roller bearings can also withstand

N2300-Series-Cylindrical-Roller-Bearing-N2320

certain axial loads and have a certain self-lubricating ability.⁷ Widely used: due to the above characteristics, cylindrical roller bearings are widely used in large motors, machine tool spindles, axle shafts, diesel engine crankshafts, automobiles and other occasions that require high speed, high load and high precision.





Wuxi Guangqiang Bearing Trade Co.,Ltd-Tel:86-510-82601571-
Email:qq@gqbearing.com,shary@gqbearing.com-http://www.bearing-asia.com