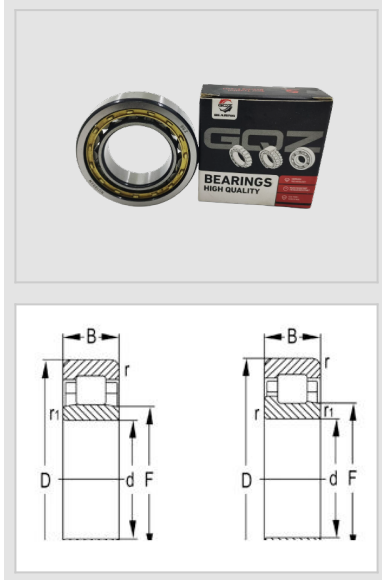


NU Series  
 NU1000  
 Cylindrical  
 Roller Bearing-  
**NU1012**



**WUXI GUANGQIANG BEARING TRADE CO.,LTD**



Designation	<b>NU1012</b>
Principal Dimensions(mm)	
d	60
D	95
B	18
rs min	1.1
rs1 min	<b>1</b>
Basic Load Ratings(KN)	
Dynamic(Cr)	40
Static(Cor)	48.5
Limited Speed(rpm)	
Grease	7500
Oil	8800
Weight	
(kg)	0.474

## GQZ bearings wholesale high quality NU1000 Cylindrical Roller Bearing

NU1000 bearings belong to one kind of cylindrical roller bearings and have the following characteristics:

Single row design: NU1000 bearings are single row design, which is suitable for bearing large radial loads.

Range of inner and outer diameters: According to the information provided, the inner diameter of NU1000 bearings can be up to 1000mm, the outer diameter can be up to 1320mm, and the thickness can be up to 185mm, and this range of sizes makes it widely used in large-scale equipments and machineries.

Load Rating: With high rated dynamic and static load capacity, they are able to withstand large loads. For example, the NSK NU1011 bearing has a dynamic load rating (Cr) of 37,500N and a static load rating (Cor) of 44,000N, which indicates that it excels in withstanding heavy loads.

Application areas: Due to the size and performance characteristics of NU1000 series bearings, it is particularly suitable for occasions that need to withstand heavy loads and large equipment, such as heavy machinery, mining equipment and so on.

In summary, NU1000 series bearings play an important role in the industrial field with its large size, high load carrying capacity and single row cylindrical roller design□

**The dimensions of NU1000 bearings vary depending on the model. Below is some specific information about the**

**dimensions of NU1000 series bearings (in millimeters):**

## NU1000-Cylindrical-Roller-Bearing-NU1012

---

NU1005: I.D. 25mm, O.D. 47mm, thickness 12mm

NU1006: I.D. 30mm, O.D. 55mm, thickness 13mm

NU1007: I.D. 35mm, O.D. 62mm, thickness 14mm

NU1008: I.D. 40mm, O.D. 68mm, thickness 15mm

NU1009: I.D. 45mm, O.D. 75mm, thickness 16mm

NU1010: I.D. 50mm, O.D. 80mm, thickness 16mm

NU1011: I.D. 55mm, O.D. 90mm, thickness 18mm

NU1012: I.D. 60mm, O.D. 95mm, thickness 18mm

NU1013: I.D. 65mm, O.D. 100mm, thickness 18mm

NU1014: I.D. 70mm, O.D. 110mm, thickness 20mm

NU1015: I.D. 75mm, O.D. 115mm, thickness 20mm

NU1016: I.D. 80mm, O.D. 125mm, thickness 22mm

NU1017: I.D. 85mm, O.D. 130mm, thickness 22mm

NU1018: I.D. 90mm, O.D. 140mm, thickness 24mm

NU1019: I.D. 95mm, O.D. 145mm, thickness 24mm

NU1020: I.D. 100mm, O.D. 150mm, thickness 24mm

NU1021: I.D. 105mm, O.D. 160mm, thickness 26mm

NU1022: I.D. 110mm, O.D. 170mm, thickness 28mm

NU1024: I.D. 120mm, O.D. 180mm, thickness 28mm

NU1026: I.D. 130mm, O.D. 200mm, thickness 33mm





Wuxi Guangqiang Bearing Trade Co.,Ltd-Tel:86-510-82601571-  
Email:qq@gqbearing.com,shary@gqbearing.com-http://www.bearing-asia.com