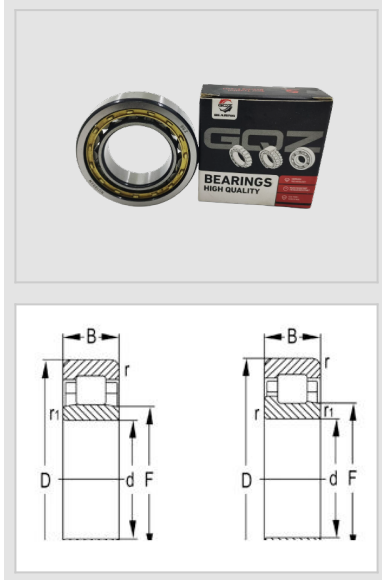


NU Series
 NU1000
 Cylindrical
 Roller Bearing-
 NU1026



WUXI GUANGQIANG BEARING TRADE CO.,LTD



Designation	NU1026
Principal Dimensions(mm)	
d	130
D	200
B	33
rs min	2
rs1min	1.1
Basic Load Ratings(KN)	
Dynamic(Cr)	172
Static(Cor)	238
Limited Speed(rpm)	
Grease	3400
Oil	4000
Weight	
(kg)	3.69

GQZ bearings wholesale high quality NU1000 Cylindrical Roller Bearing

NU1000 bearings belong to one kind of cylindrical roller bearings and have the following characteristics:

Single row design: NU1000 bearings are single row design, which is suitable for bearing large radial loads.

Range of inner and outer diameters: According to the information provided, the inner diameter of NU1000 bearings can be up to 1000mm, the outer diameter can be up to 1320mm, and the thickness can be up to 185mm, and this range of sizes makes it widely used in large-scale equipments and machineries.

Load Rating: With high rated dynamic and static load capacity, they are able to withstand large loads. For example, the NSK NU1011 bearing has a dynamic load rating (Cr) of 37,500N and a static load rating (Cor) of 44,000N, which indicates that it excels in withstanding heavy loads.

Application areas: Due to the size and performance characteristics of NU1000 series bearings, it is particularly suitable for occasions that need to withstand heavy loads and large equipment, such as heavy machinery, mining equipment and so on.

In summary, NU1000 series bearings play an important role in the industrial field with its large size, high load carrying capacity and single row cylindrical roller design□

The dimensions of NU1000 bearings vary depending on the model. Below is some specific information about the

dimensions of NU1000 series bearings (in millimeters):

NU1000-Cylindrical-Roller-Bearing-NU1026

NU1005: I.D. 25mm, O.D. 47mm, thickness 12mm
NU1006: I.D. 30mm, O.D. 55mm, thickness 13mm
NU1007: I.D. 35mm, O.D. 62mm, thickness 14mm
NU1008: I.D. 40mm, O.D. 68mm, thickness 15mm
NU1009: I.D. 45mm, O.D. 75mm, thickness 16mm
NU1010: I.D. 50mm, O.D. 80mm, thickness 16mm
NU1011: I.D. 55mm, O.D. 90mm, thickness 18mm
NU1012: I.D. 60mm, O.D. 95mm, thickness 18mm
NU1013: I.D. 65mm, O.D. 100mm, thickness 18mm
NU1014: I.D. 70mm, O.D. 110mm, thickness 20mm
NU1015: I.D. 75mm, O.D. 115mm, thickness 20mm
NU1016: I.D. 80mm, O.D. 125mm, thickness 22mm
NU1017: I.D. 85mm, O.D. 130mm, thickness 22mm
NU1018: I.D. 90mm, O.D. 140mm, thickness 24mm
NU1019: I.D. 95mm, O.D. 145mm, thickness 24mm
NU1020: I.D. 100mm, O.D. 150mm, thickness 24mm
NU1021: I.D. 105mm, O.D. 160mm, thickness 26mm
NU1022: I.D. 110mm, O.D. 170mm, thickness 28mm
NU1024: I.D. 120mm, O.D. 180mm, thickness 28mm
NU1026: I.D. 130mm, O.D. 200mm, thickness 33mm





Wuxi Guangqiang Bearing Trade Co.,Ltd-Tel:86-510-82601571-
Email:qq@gqbearing.com,shary@gqbearing.com-http://www.bearing-asia.com