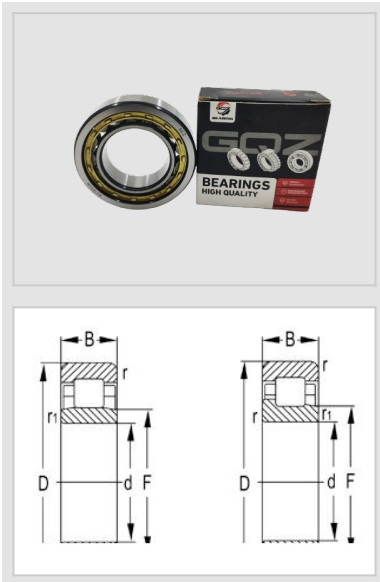


NU Series
 NU300
 cylindrical roller
 bearing-NU308



WUXI GUANGQIANG BEARING TRADE CO.,LTD



Designation	NU308
Principal Dimensions(mm)	
d	40
D	90
B	23
rs min	1.5
rs1 min	1.5
Basic Load Ratings(KN)	
Dynamic(Cr)	58.5
Static(Cor)	57
Limited Speed(rpm)	
Grease	8000
Oil	9400
Weight	
(kg)	0.658

GQZ bearings wholesale high quality NU300 Cylindrical Roller Bearing

NU300 series bearings are a kind of cylindrical roller bearings with the following features:

Complete size specifications: NU300 bearings offer a wide range of size specifications to meet the needs of different applications. From NU303 to NU319, they cover different inner diameters, outer diameters and widths, adapting to the mounting and usage conditions of various mechanical equipments.

High load carrying capacity: Due to the cylindrical roller design, NU300 bearings have high load carrying capacity and can withstand heavy loads and shock loads, suitable for application scenarios that require heavy loads.

Good Stability: These bearings are well-designed to ensure the stable operation of mechanical equipment, reduce vibration and noise, and improve the overall performance and life of the equipment.

Widely used: NU300 series bearings are widely used in metallurgical industry, chemical industry, kiln equipment and other fields, especially in working environments that need to withstand high temperatures and high loads, showing excellent performance and reliability.

Standardized production: The production process follows strict quality management system standards to ensure the consistency and reliability of product quality and meet the needs of various industrial applications.





Wuxi Guangqiang Bearing Trade Co.,Ltd-Tel:86-510-82601571-
Email:gg@gqbearing.com,shary@gqbearing.com-http://www.bearing-asia.com