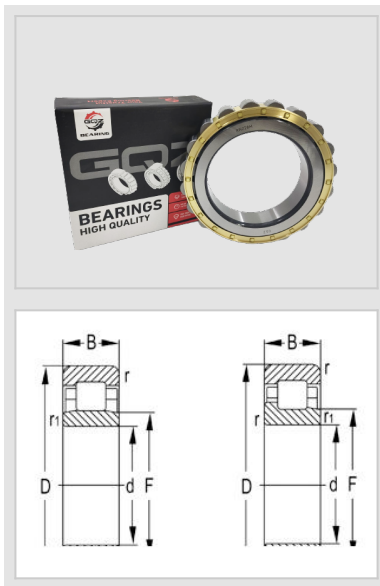


Cylindrical Roller
Bearing
RN Series
Cylindrical Roller
Bearing-**RN228EM**



WUXI GUANGQIANG BEARING TRADE CO.,LTD



Designation	RN228EM
Principal Dimensions(mm)	
d	140
Ew	221
B	42
Basic Load Ratings(KN)	
Dynamic(Cr)	302
Static(Cor)	415
Limited Speed(rpm)	
Grease	1800
Oil	2400
Weight	
(kg)	5.95

GQZ bearings wholesale high quality RN Series Cylindrical Roller Bearing

The dimensions of RN series cylindrical roller bearings include inner diameter, outer diameter and width.

RN316M bearings have an inner diameter of 80mm, an outer diameter of 147mm and a width of 39mm.

RN202TN1 bearings have an inner diameter of 15mm, an OD of 30mm and a width of 11mm.

RN309M bearings have an inner diameter of 45mm, an OD of 86.5mm and a width of 25mm.

The characteristics of RN series cylindrical roller bearings mainly include high radial load carrying capacity, low coefficient of friction, separable construction, ability to accommodate axial expansion and contraction, and suitability for highly loaded rotating bodies.

1□ high radial load carrying capacity: RN series cylindrical roller bearings are designed to withstand heavy loads and shock loads, and their rollers and raceways are in line contact or repair under the line contact, making the bearings have a large radial load carrying capacity.

2□ low coefficient of friction: due to its large rolling contact area, the coefficient of friction is low, so it has better lubrication performance and lower friction resistance, which can effectively reduce mechanical energy consumption and wear.

3□ Separable structure: the separable design of inner and outer rings simplifies the installation and disassembly process, making maintenance more convenient.

4□ Ability to accommodate axial expansion and contraction: the bearing design allows for axial displacement to accommodate changes in the relative position of the shaft and housing caused by thermal expansion or mounting errors.

5. Suitable for high load rotating bodies: Due to its roller structure, it is particularly suitable for rotating bodies that require high load carrying capacity, such as cement preparation equipment, conveyor drives, power generation equipment and oil field equipment.

In addition, RN series cylindrical roller bearings have high rotational accuracy and good durability, using high quality materials and advanced heat treatment technology. These features make RN series cylindrical roller bearings perform well in various industrial applications, especially in the occasions where they need to bear heavy loads and high speeds.





Wuxi Guangqiang Bearing Trade Co.,Ltd-Tel:86-510-82601571-
Email:qq@gqbearing.com,shary@gqbearing.com-http://www.bearing-asia.com