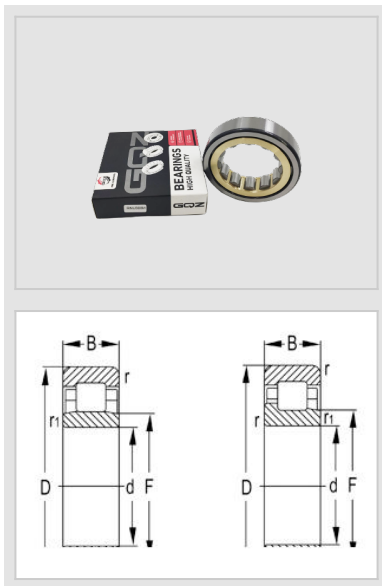


Cylindrical Roller
Bearing
RNU Series
Cylindrical Roller
Bearing-**RNU311E**



WUXI GUANGQIANG BEARING TRADE CO.,LTD



Designation	RNU311E
Principal Dimensions(mm)	
Fw	70.5
D	120
B	29
Basic Load Ratings(KN)	
Dynamic(Cr)	128
Static(Cor)	138
Limited Speed(rpm)	
Grease	4800
Oil	6000
Weight (kg)	1.5

GQZ bearing wholesale high quality RNU Series Cylindrical Roller Bearing

The NRU series of cylindrical roller bearings are available in a variety of sizes and models, such as the RNU207 and RNU208 models offered by GQZ Bearings, which range in size from the smaller 207 model (with an ID, OD, and width of approx. 30mm, 62mm, and 15mm, respectively) to the larger 208 model (with an ID, OD, and width of approx. 40mm, 80mm, and 18mm, respectively). There is also the RNU12044.S01 model, which is a non-standard bearing with non-standard dimensions. The imported KOYO brand offers the RNU208-3 model with dimensions of 36mmx80mmx18mm.

The features of NRU series cylindrical roller bearings include high precision, good load carrying capacity and high speed performance. **NRU series cylindrical roller bearings belong to one kind of high-precision cylindrical roller bearings, and their structural characteristics are mainly reflected in the following aspects:**

1 High precision: NRU series bearings are able to combine load carrying capacity stiffness and achievable speed in an ideal way, providing high precision and excellent performance.

2 Good load-carrying capacity: Although N, NN, NNU series bear only lighter radial force, NRU series are optimized in design and manufacture to provide better radial load-carrying capacity, which is suitable for bearing heavy loads and shock loads.

3 High-speed performance: The design of NRU series bearings allows high system stiffness to be achieved in lower assembly supports while maintaining good high-speed performance, with limiting speeds close to those of deep groove ball bearings, suitable for applications requiring high-speed rotation.

In addition, NRU series cylindrical roller bearings are characterized by separable inner or outer rings for

RNU-Series-Cylindrical-Roller-Bearing-RNU311E

easy mounting and dismounting, and are also suitable for changes in the relative position of the shaft and the housing due to thermal expansion or mounting errors, and can be used as free end supports. These features make NRU series cylindrical roller bearings widely used in large and medium-sized electric motors, rolling stock and other fields.

Wuxi Guangqiang Bearing Trade Co.,Ltd-Tel:86-510-82601571-
Email:gq@gqbearing.com,shary@gqbearing.com-http://www.bearing-asia.com