

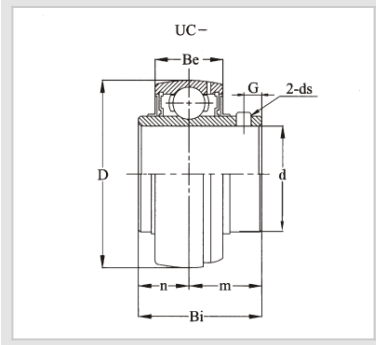
Insert Bearing  
UC Series Insert  
bearings-UC202-10



WUXI GUANGQIANG BEARING TRADE CO.,LTD



Bearing No.	<b>UC202-10</b>
Shaft Dia	
in.	5/8
mm	-
Boundary dimensions(mm)	
D	47
Bi	31
Be	16
n	12.7
m	18.3
G	5
ds	1/4-28UNF
Basic load ratings	
C	12890
Co	6490
Mass(Kg)	0.19



## GQZ bearings wholesale customize UC Series Insert bearings

**UC series insert bearings belong to outer spherical ball bearings, and their design features include:**

**Dimensions:** UC series insert bearings have an inner diameter of 25mm, an outer diameter of 52mm, a height of 34.1mm, and a weight of 0.22kg. These dimensions ensure that the bearings can accurately match the requirements of machinery and equipment, and achieve a good fit and stable operation.

**Fixing method:** This type of bearing is characterized by the use of a top wire to hold it against the shaft when it is mated with the shaft, thus providing a fixing effect. The angle of the top wire is generally 120°. This design enables the bearing to maintain a good fixing effect under the condition of small vibration range.

**Application areas:** UC series insert bearings are widely used in various manufacturing industries such as textile machinery, ceramic machinery and so on. Their universality and wide range of applications are due to their design features and dimensional parameters, which can meet the needs of various industrial

applications.

In addition, the UC series insert bearings includes the light series (UC200 series) and heavy series (UC300 series), as well as the deformed product UB(SB)200 series.







# FACTORY SHOW

GQZ BEARING SPECIALIZES IN THE PRODUCTION AND SALES OF BEARING.



# FIELDS OF APPLICATION



ELECTRIC MOTOR  
INDUSTRY



FOOD INDUSTRY



MEDICAL DEVICE INDUSTRY



RAIL TRANSPORTATION  
INDUSTRY



LOGISTICS AND  
TRANSPORTATION



SHIP REPAIR INDUSTRY



ELEVATOR INDUSTRY



TEXTILE INDUSTRY



DOMESTIC ELECTRIC  
APPLIANCE



PUMPS & FLUIDS  
INDUSTRY



COMPRESSOR INDUSTRY



AUTOMOTIVE AFTERMARKET

Wuxi Guangqiang Bearing Trade Co.,Ltd-Tel:86-510-82601571-  
Email:gq@gqbearing.com,shary@gqbearing.com-http://www.bearing-asia.com