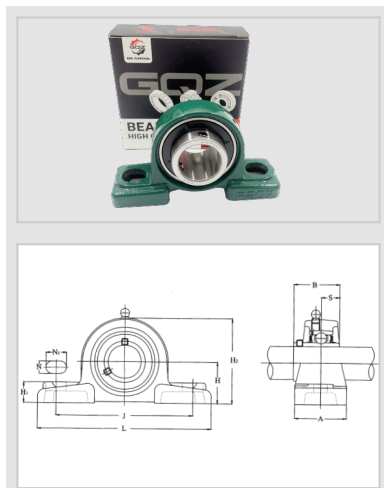


Insert Bearing
UCP Series
Insert Bearings-
UCP204



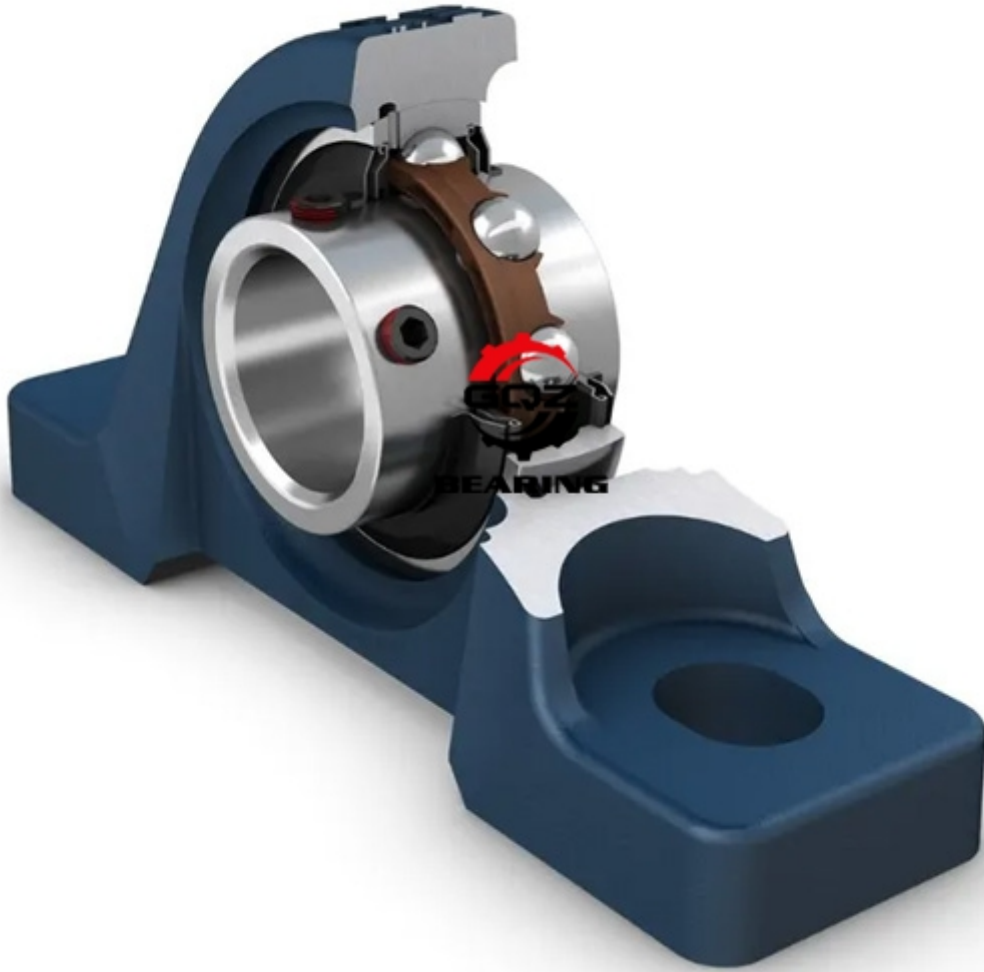
WUXI GUANGQIANG BEARING TRADE CO.,LTD

Unit No.	UCP204
Bearing No.	UC204
Housing No.	P204
Shaft Dia	
in.	-
mm	20
Boundary dimensions(mm)	
h	33.3
a	127
e	95
b	38
s1	13
s2	16
g	15
w	65
Bi	31
n	12.7
Bolt Size	M10
Mass(Kg)	0.8



GQZ bearings wholesale customize UCP Series Insert bearings

The characteristics of UCP series external spherical bearings mainly include its design allows the bearings and housings to withstand 3 degrees of misalignment to cope with non-alignment caused by shaft deflection. This design perfectly solves the disadvantages of deep groove ball bearings, which are difficult to fix and have low torque. The UCP series of housed external spherical bearings are the most representative form of bearing assemblies, in which the housing P has a flat bottom solid design, and two series are provided: UCP200 and UCP300. The UCP300 series withstands higher loads compared to the UCP200 series because the root of the housings' mounting area is equipped with a reinforcing bars, a high-strength construction for loads in all directions. In addition, Housing P can be used with UK, UEL, and NA series bearing assemblies for major applications such as transmissions, exercise machines, and harvesters.







FACTORY SHOW

GQZ BEARING SPECIALIZES IN THE PRODUCTION AND SALES OF BEARING.



